

Assembly Instructions

Range

StudyHub Study Carrell and Extension bay

Ref:

800 and 1000mm Wide

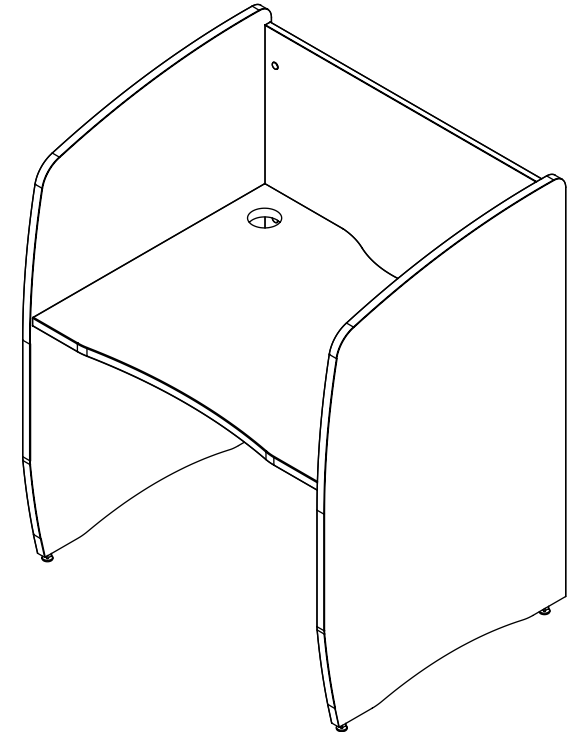
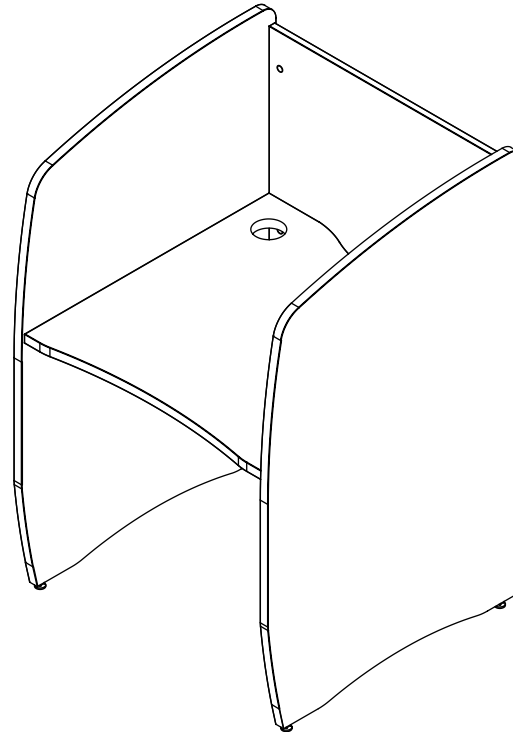
Key Information:



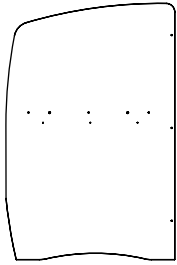
Read this leaflet before assembly.



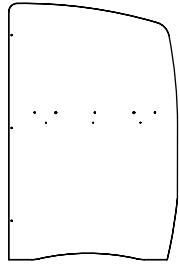
2 people required.



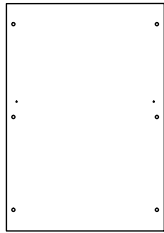
Component Parts



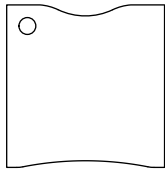
Side Panel (LH)
QTY: 1



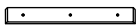
Side Panel (RH)
QTY: 1



Back Panel
QTY: 1

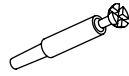


Desk Top
QTY: 1



Baton
QTY: 2

Fixings



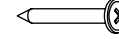
Item 1
Minifix Chipfast Bolt
QTY: 14
F/0532



Item 2
Minifix Cams
QTY: 6
F/0434



Item 3
Minifix Cams
QTY: 8
F/0467



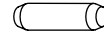
Item 4
Pozi Panhead Screws
QTY: 6
F/0671



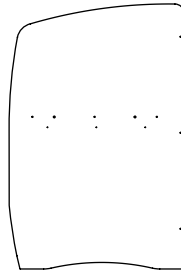
Item 5
StudyHub Feet
QTY: 4
M/0253



Item 6
Adhesive Cover Caps
QTY: 14
F.0436, F.0446,
F.0545, F.0575

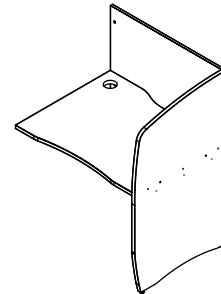
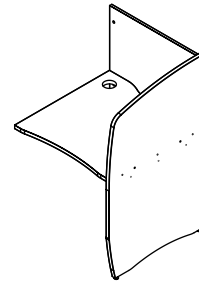


Item 7
Wood Dowel
QTY: 4
F/0431



Extension Side Panel
QTY: 1

Extensions SHED, has the same components as study hub SHSB, but instead of 2 side panels (LH & RH) it has 1 unhanded side panel.



Tools Required

- Pozi head screwdriver

Before you begin...

- Check you have all the tools and components required
- Keep children and animals away from small parts
- Ensure you have adequate space
- Assemble product on a flat, clean surface
- Apply manual handling guidelines when building this item

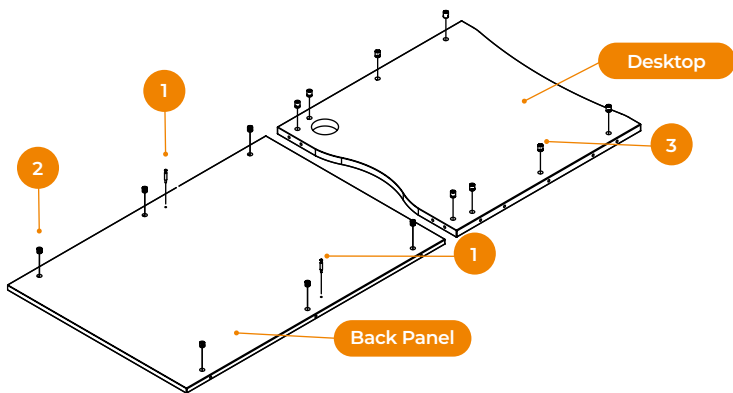
Assembly Instructions

Step 1

Lay the Back Panel on a soft, non-abrasive surface and screw **two Minifix Chipfast Bolts (1)**.

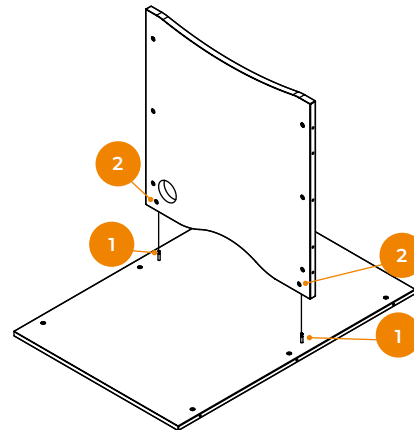
Insert six Cams (2) into the back panel as shown.

Insert eight Cams (3) into the Desktop itself.



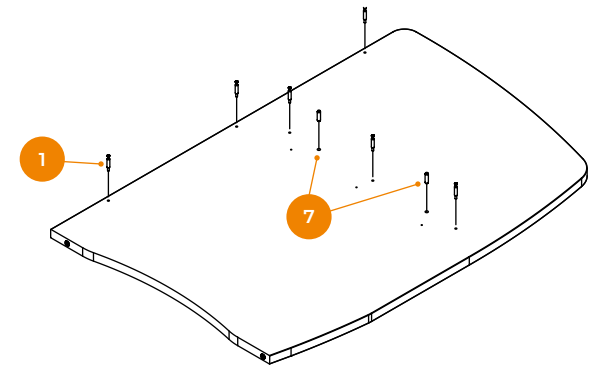
Step 2

Lift the Desktop directly onto the **Minifix Chipfast Bolts (1)**. Tighten the Cams (2) to secure it in position.



Step 3

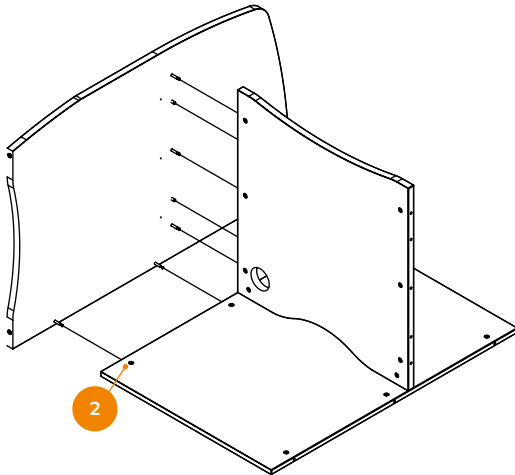
Lay the Side Panels out on a soft, non-abrasive surface and screw six **Minifix Chipfast Bolts (1)** and knock in the two dowels (7) into place on each panel.



Assembly Instructions

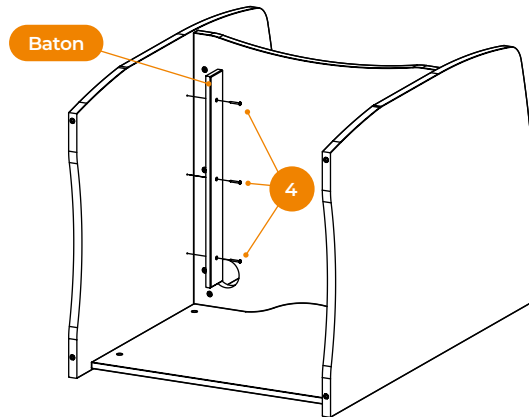
Step 4

Lift one Side Panel into position and tighten the Cams (2) then repeat this process with the other Side Panel. If you are building a run of study hubs using StudyHub extensions, use the extension side panels (which have through holes) in the middle, and the Left and Right side panels at the ends.



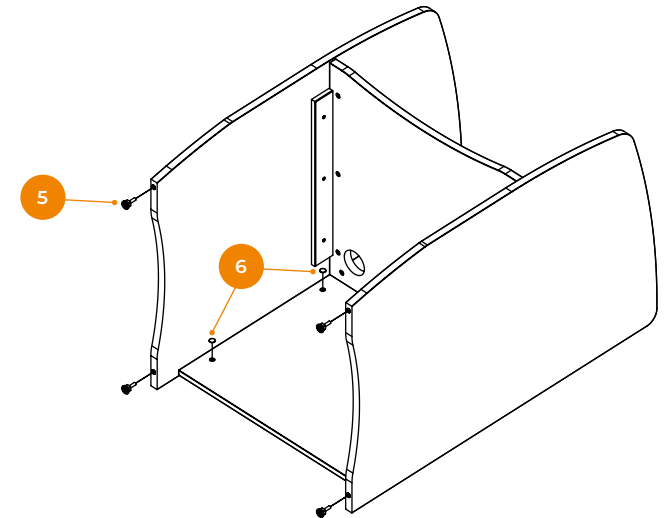
Step 5

Screw the Batons into place underneath the left and right hand sides of the work surface using three Pozi Panhead Screws (4) apiece.



Step 6

Screw the four Feet (5) into place and pop the Cover Caps (6) on where required. Using two people, carefully lift the completed unit into a standing position.



Care & Maintenance

- Clean using a damp cloth and mild detergent - do not use abrasive cleaners or bleach.