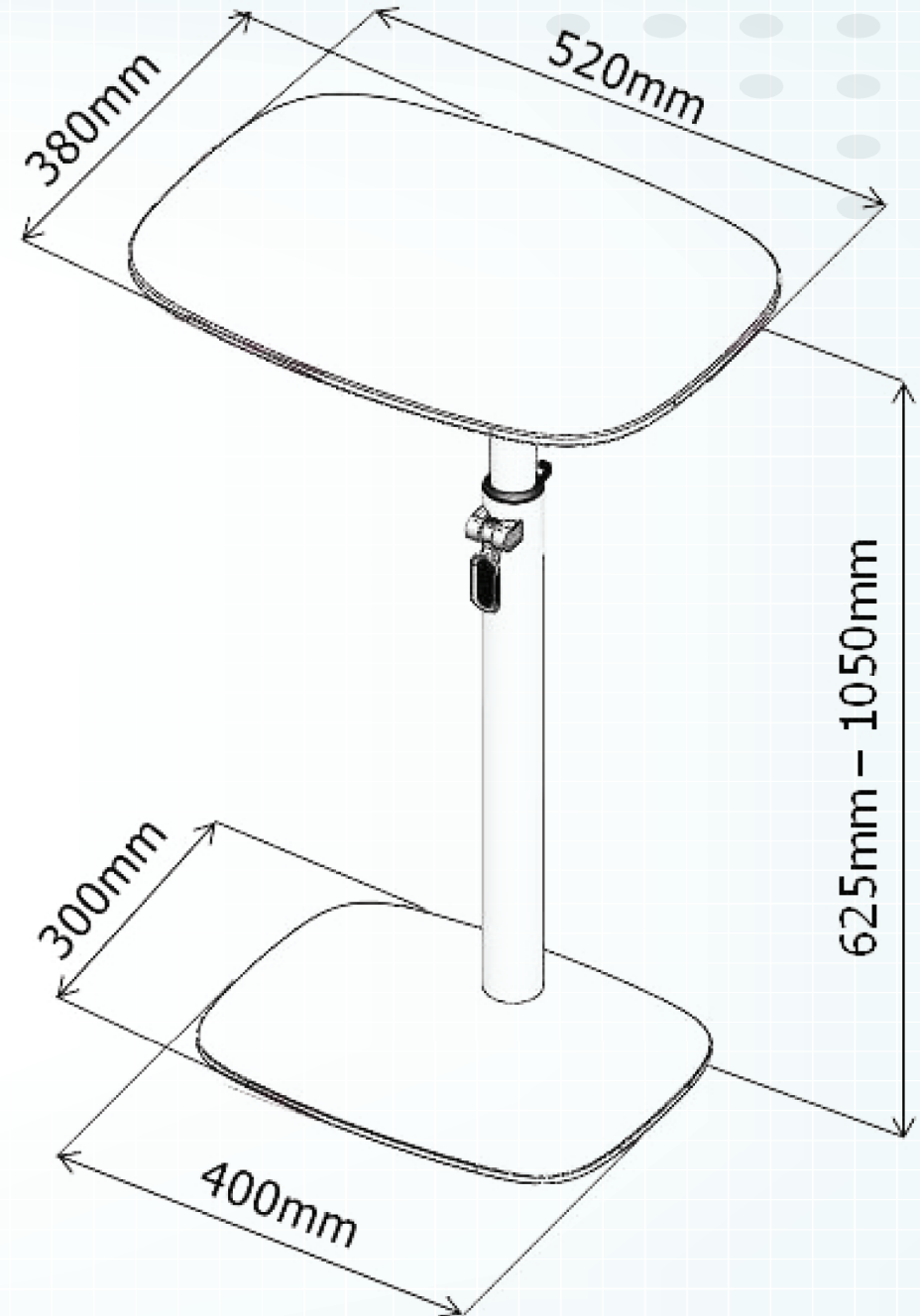
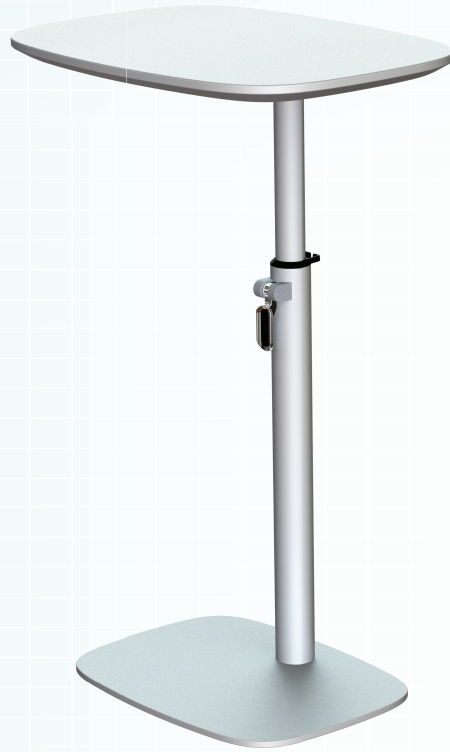




esign



### You should have received:

- 1 x Metal Base
- 1 x Height Adjustable Column
- 1 x MFC Top
- 1 x Adhesive Sticky Pad
- 3 x Base Bolts
- 6 x Top Bolts

*If there are any Wood Screws, please ignore them as these are not required*

### Assembly Instructions:

- In the adhesive rubber pad are cut 4 circles, which you can stick to the underneath of the base plate.
- Please use the 3 bolts with blue nyloc on, to fit the metal base to the adjustable column
- The remaining 6 bolts fit the column to the t-nutted top