

## Assembly Instructions

### Range

StudyHub Study Carrell and Extension bay

### Ref:

800 and 1000mm Wide

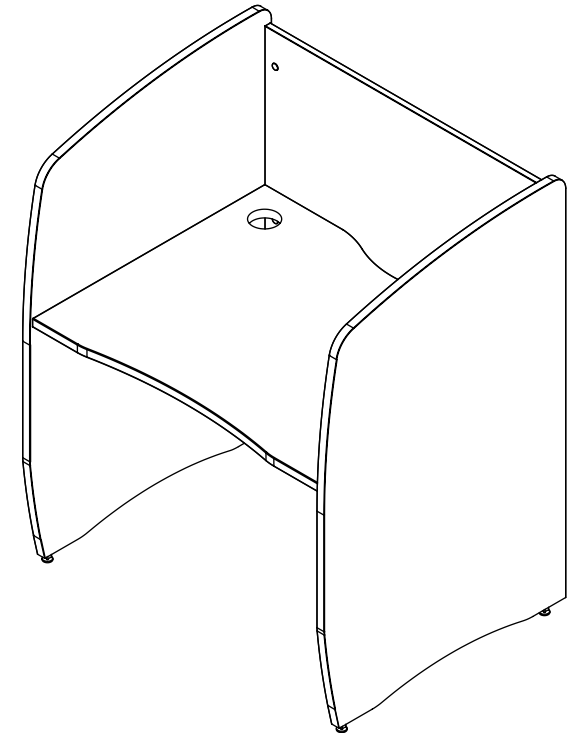
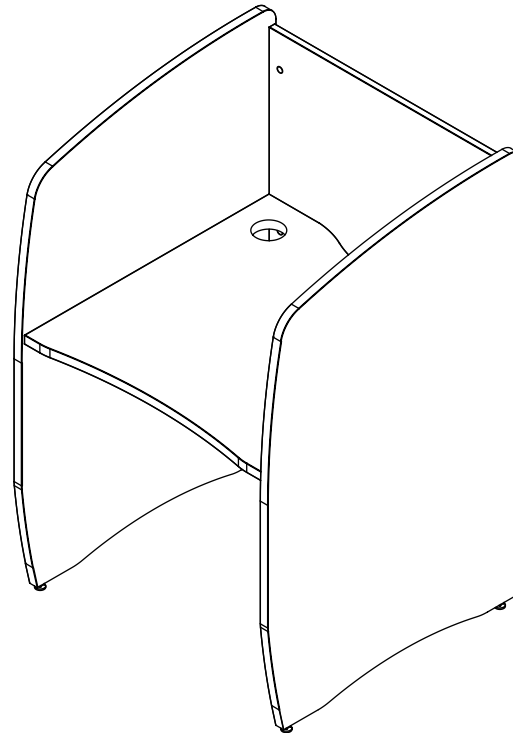
### Key Information:



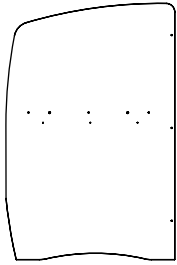
Read this leaflet before assembly.



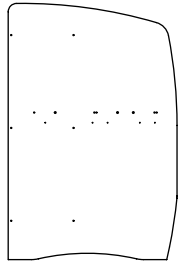
2 people required.



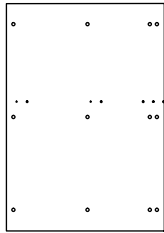
## Component Parts



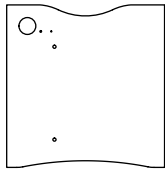
Side Panel (LH)  
QTY: 1



Side Panel (RH)  
QTY: 1



Back Panel  
QTY: 1

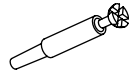


Desk Top  
QTY: 1



Baton  
QTY: 2

## Fixings



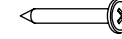
Item 1  
Minifix Chipfast Bolt  
QTY: 14  
F/0532



Item 2  
Minifix Cams  
QTY: 6  
F/0434



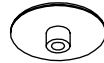
Item 3  
Minifix Cams  
QTY: 8  
F/0467



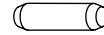
Item 4  
Ponzi Panhead Screws  
QTY: 6  
F/0671



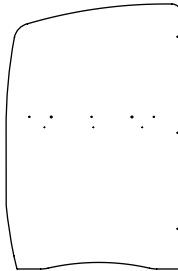
Item 5  
StudyHub Feet  
QTY: 4  
M/0253



Item 6  
Cover Caps  
QTY: 14  
F.0436, F.0446,  
F.0545, F.0575

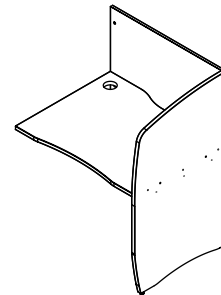
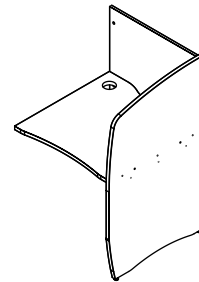


Item 7  
Wood Dowel  
QTY: 6  
F/0431



Extension Side Panel  
QTY: 1

Extensions SHED, has the same components as study hub SHSB, but instead of 2 side panels (LH & RH) it has 1 unhanded side panel.



## Tools Required

- Pozi head screwdriver

## Before you begin...

- Check you have all the tools and components required
- Keep children and animals away from small parts
- Ensure you have adequate space
- Assemble product on a flat, clean surface
- Apply manual handling guidelines when building this item

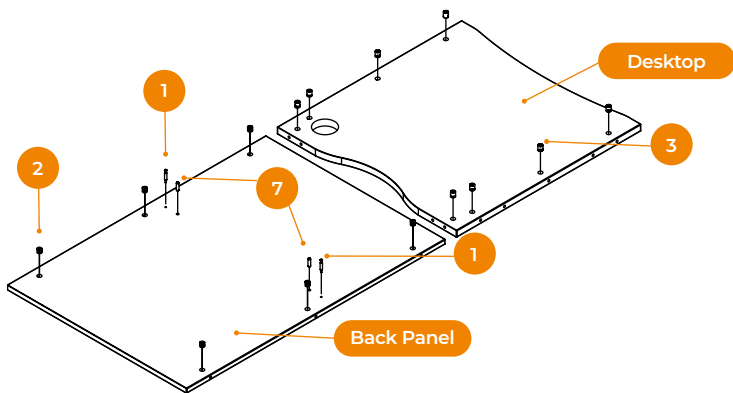
# Assembly Instructions

## Step 1

Lay the Back Panel on a soft, non-abrasive surface and screw **two Minifix Chipfast Bolts (1)** and knock in the two dowels (7) into the pre-drilled holes where the Desktop will be positioned.

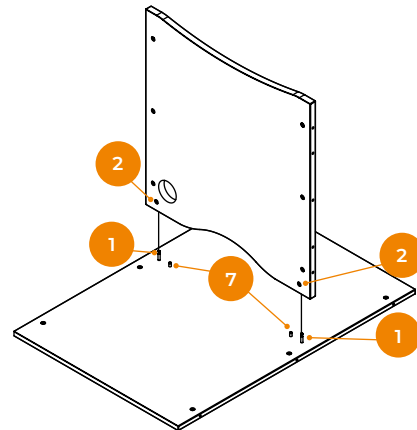
Insert six Cams (2) into the back panel as shown.

Insert eight Cams (3) into the Desktop itself.



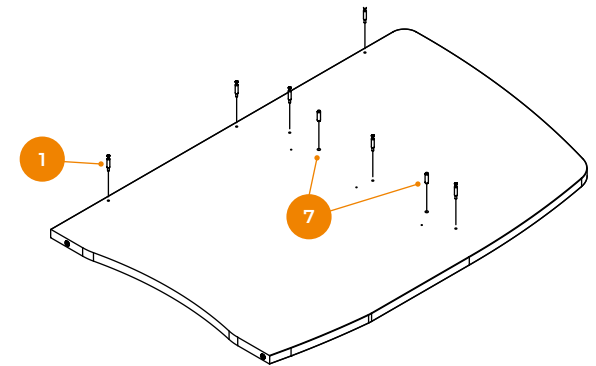
## Step 2

Lift the Desktop directly onto the **Minifix Chipfast Bolts (1)** and dowels (7). Tighten the Cams (2) to secure it in position.



## Step 3

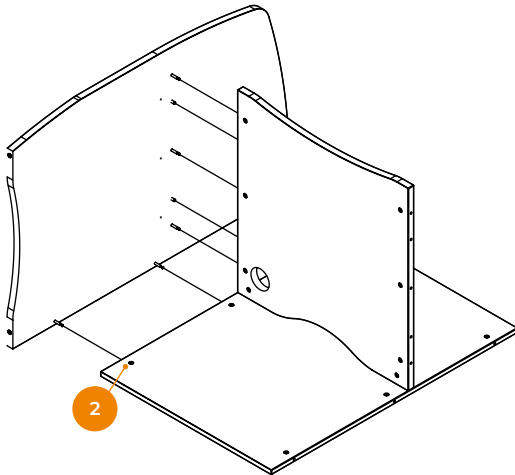
Lay the Side Panels out on a soft, non-abrasive surface and screw six **Minifix Chipfast Bolts (1)** and knock in the two dowels (7) into place on each panel.



# Assembly Instructions

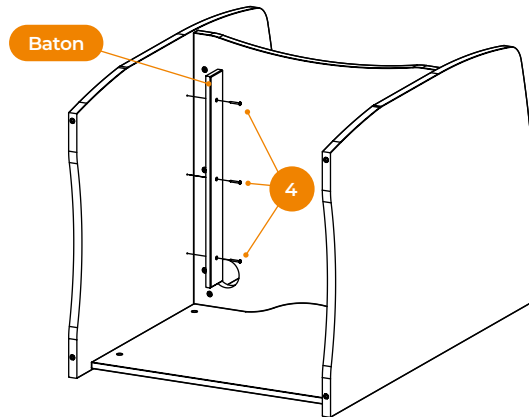
## Step 4

Lift one Side Panel into position and tighten the Cams (2) then repeat this process with the other Side Panel. If you are building a run of study hubs using StudyHub extensions, use the extension side panels (which have through holes) in the middle, and the Left and Right side panels at the ends.



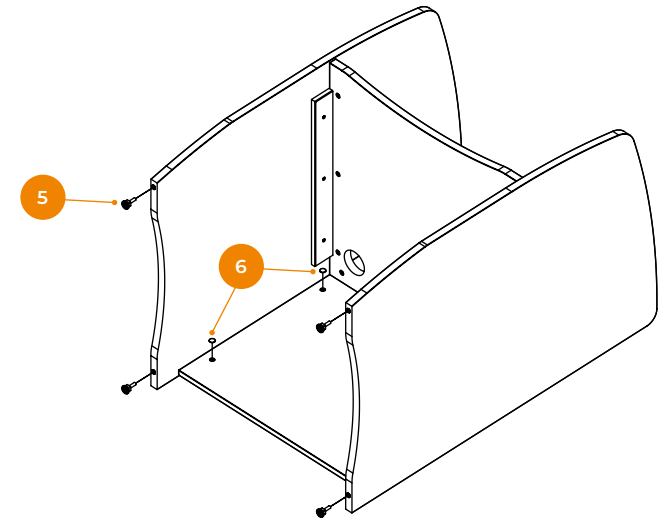
## Step 5

Screw the Batons into place underneath the left and right hand sides of the work surface using three Pozi Panhead Screws (4) apiece.



## Step 6

Screw the four Feet (5) into place and pop the Cover Caps (6) on where required. Using two people, carefully lift the completed unit into a standing position.



## Care & Maintenance

- Clean using a damp cloth and mild detergent - do not use abrasive cleaners or bleach.