

SAY-BOX

TELEPHONE BOOTH

PLEDGE



PERSONAL POD

The luxurious phone booth boasts upholstered side and back panels, providing a touch of elegance and comfort to anyone using it.

The addition of a fan ensures a pleasant environment inside, while the LED light on motion sensor adds a touch of sophistication. The perch table inside the booth is not only functional but also stylish, perfect for placing personal belongings or a cup of coffee while making a call.

The glass front, complete with stainless steel hinges and handle, exudes a modern and sleek design that is sure to impress.

For added convenience, the phone booth is equipped with A+C USB charging ports, allowing users to easily charge their devices while on the go. Additionally, the inclusion of a UK plug ensures compatibility with various devices, making it a versatile and practical feature.

With its combination of luxury and functionality, this phone booth is the epitome of modern design and innovation, providing a premium experience for anyone who steps inside.

IMAGE: Say-Box_Trio

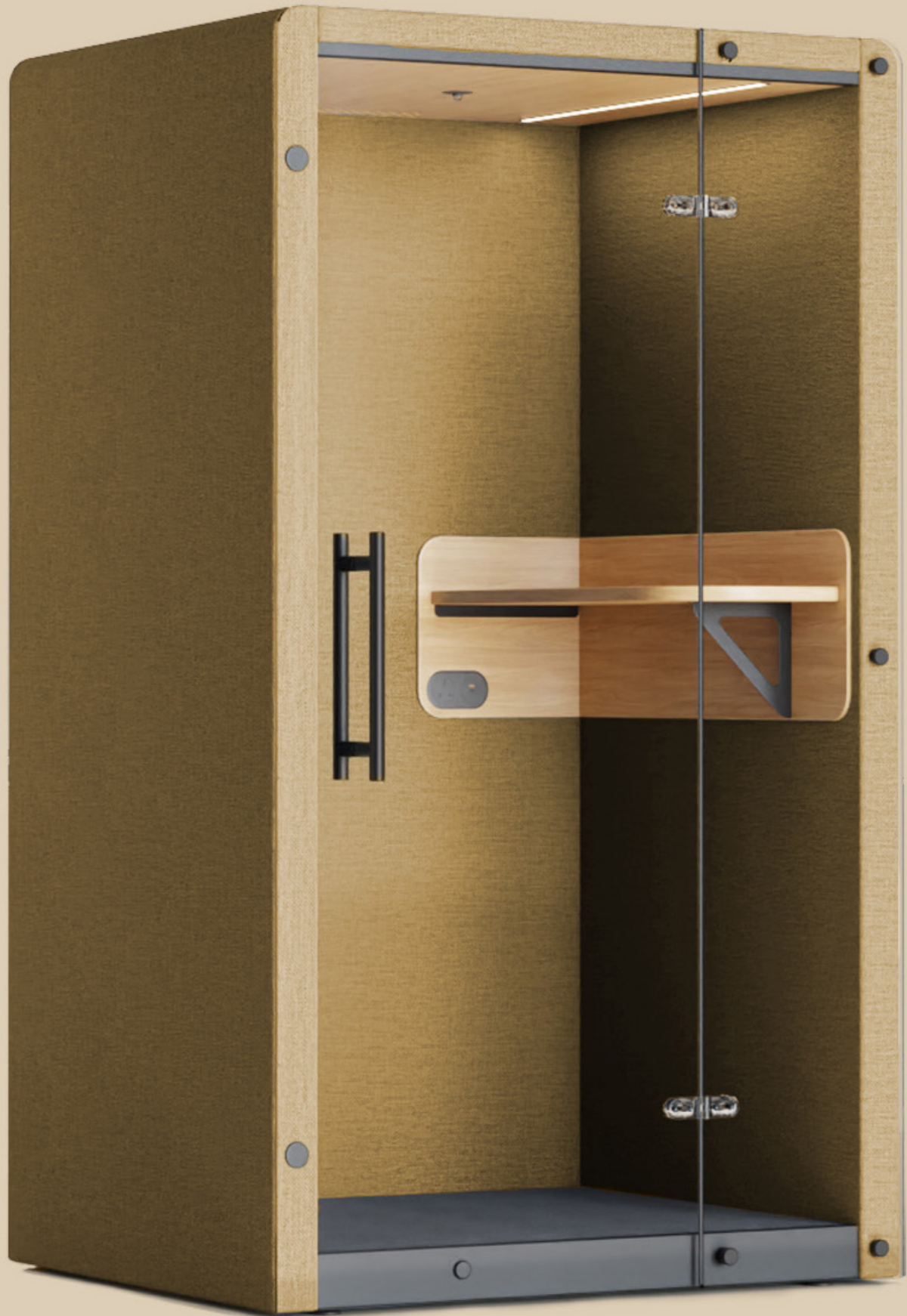
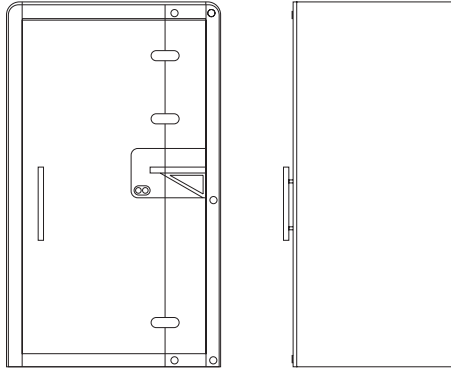


IMAGE: Say-Box_Yellow_Oak_Finish

PRODUCT RANGE

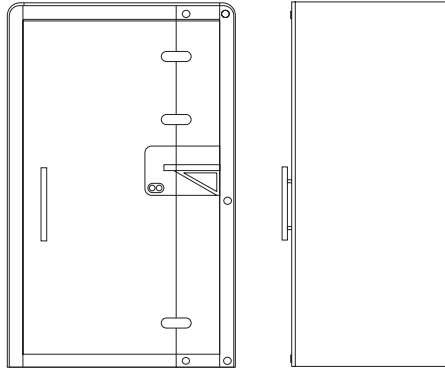
SB-10LH/B & RH/B

Telephone Booth



SB-12LH/B

Telephone Booth



SB-10RH/B

Telephone Booth

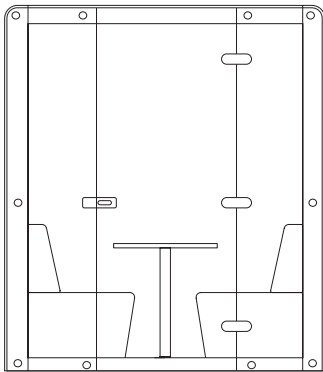
Overall Height 2100 | Overall Width 1200 | Overall Depth 1000
Table Height 1050

Overall Height 2100 | Overall Width 1200 | Overall Depth 1000
Table Height 1050

Overall Height 2100 | Overall Width 1200 | Overall Depth 1000
Table Height 1050

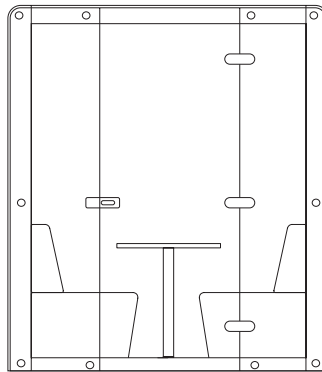
SB-22

2 Seat Booth



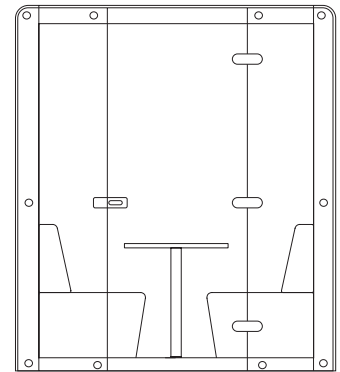
SB-24

4 Seat Booth



SB-26

6 Seat Booth



Overall Height 2100 | Overall Width 2200 |
Overall Depth 1000 | Table Height 720 | Seat Height 440

Overall Height 2100 | Overall Width 2200 |
Overall Depth 1300 | Table Height 720 | Seat Height 440

Overall Height 2100 | Overall Width 2200 |
Overall Depth 1900 | Table Height 720 | Seat Height 440

MEASUREMENTS IN MM

PRODUCT FINISHES

TABLE TOP, SPLASH BACK & ROOF



White (WHT)



Black (BKT)



Light Oak (LOT)



Walnut (WLT)

STEEL HINGES & HANDLE



Stainless Steel (Standard)



Black (B)

METAL POWDERCOAT



White (W)



Black (B)



CARE & MAINTENANCE

GLASS

Once a week, clean the surface in circular motions using a damp cloth.

If you use a cleaner, apply it first to the cloth and clean the surface.

To clean glazed elements, use chemical products that are intended to clean glass and mirrors.

TABLE

Regularly clean the entire surface with a microfibre cloth soaked in the cleaner. Do not apply the cleaner directly to the surface.

Do not use abrasive products, polishing products and scouring pads or sponges.

HANDLES

Clean the handle inside and outside the booth every day using a damp microfibre cloth. After cleaning, wipe the handles dry.

UPHOLSTERED WALLS

Once every six months, vacuum the surface of all upholstered elements from top to bottom.

For heavy soiling, use a neutral cleaner.

Before cleaning, test the cleaner on a hidden area and follow manufacturer's instructions.

Use upholstery cleaners only.

VENTILATION SYSTEM

Once every six months, vacuum the fan using a soft attachment of the vacuum cleaner.

Do not insert the hose between the fan blades.

FLOOR

Once a week, vacuum the entire floor surface. For heavy soiling, use a neutral cleaner. Use products intended for floor coverings.

Before using the cleaner, test it on a hidden area.

PRODUCT SPECIFICATION

STANDARD PRODUCT DESCRIPTION

Frame: Plywood. Furniture grade fibreboard.

Foam: Combustion Modified High Resilience Foam (CMHR).

Glass Front: 10 mm toughened glass, magnet closure with stainless steel metal hinges and door handle.

Kick Plate: Black finish kick plate.

Perch Table: 25 mm MFC with laminated top and edging with matching splashback.

Light & Ventilation: Integrated ventilation, LED light strip with motion sensor.

Power & Data: 1 X UK socket (Fused at 3.15A), TUF USB A+C charging (5.0A Max Load)

OPTIONAL UPCHARGES

Perch Table: White, Black, Light Oak & Walnut finishes available.

Kick Plate: White finish available.

Hinges & Handle: Silver and black finish metalwork available.

Booth Additional Options: Open front booth, Rear glass panels and TV bracket.



The mark of responsible forestry
FSC® C019542

POLICY

Pledge manufacture in the United Kingdom and is a true manufacturer producing wooden, steel and upholstered products at our site in Leighton Buzzard.

We are committed to the efficient use of energy and continually review our processes to reduce environmental impact, seeking to utilise technologies which minimise energy and material consumption in our products and services.

OPERATION

Pledge offers a 5-year warranty on structural components. Fabrics are covered by the manufacturers' guarantee.

These terms apply to Pledge seating used only in general office environments during normal working hours and subject to fair wear and tear. Terms for seating used 24/7 application are available on request.

Our full terms concerning warranties can be found in our Seating Price Guide under terms and conditions section 9.

CERTIFICATION

Pledge is ISO9001 & ISO14001 certified, guaranteeing quality and environmental management standards are met.

Furniture Industry Sustainability Programme (FISP)

Furniture Industry Research Association (FIRA) Forest Stewardship Council® (FSC)

SUSTAINABILITY

Maximum consideration has been given to Say-Box's flexibility, which in turn will allow it to evolve keeping it relevant for as long as possible.

Every seating product has an impact on the environment throughout its lifecycle, from extraction of the raw materials, production, to final disposal and recycling.

As a company Pledge are committed to reducing the environmental impact of all products produced and distributed from their Bedfordshire manufacturing facility, with the ultimate goal of contributing towards the creation of a sustainable society for future generations.

CO₂ DATA

The organisational greenhouse gas intensity for an item in this range, based on average product weight and total greenhouse gas emissions recorded within the 1st June 2022 to 31st May 2023 company inventory, is 0.1782 tonnes CO₂e/item. (QC: Blue Marble Environmental Partnerships Ltd)

ENVIRONMENTAL IMPACT

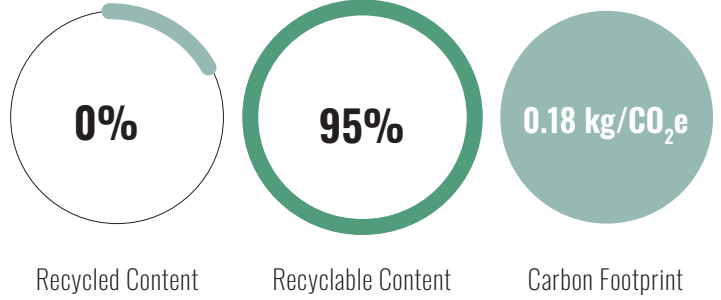
ENVIRONMENTAL STATEMENT

Pledge are ISO 9001 & ISO 14001 certified, guaranteeing quality and environmental management standards are met.

Furniture Industry Sustainability Programme (FISP)
Furniture Industry Research Association (FIRA)
Forest Stewardship Council® (FSC®)
3B Recycling Management Ltd.
Blue Marble Environmental Partnerships Ltd.

ENVIRONMENTAL DATA

Based on environmental impact
Plastic components >25 g are labelled in accordance with ISO 11469.



Pledge has retained Blue Marble to compile and develop a GHG inventory and GHG report (greenhouse gases). This information is used to identify high impact opportunities for GHG emission reduction. You can read more about our environmental journey on our website.

HQ

Pledge Chairs Ltd.
Mill Road
Leighton Buzzard
Bedfordshire
LU7 1BA
+44 (0)1525 376181
sales@pledgechairs.co.uk

SHOWROOM

First Floor
21-22 Great Sutton Street
Clerkenwell
London
EC1V 0DY
+44 (0)20 7253 7277
showroom@pledgechairs.co.uk